



DP-5000

PC Base Compact Printer



PC Based

Standard Features

- User Friendly/Eye Catching 8.4" Color Display
- Remote Diagnostic Functions
- Easy Front Loading Cassette
- Job Batches Great for Bakery Department
- Remote Update of Operating System, Label Formats, Preset Keys, Images
- Compatible with Third Party Scale Management Applications
- Date and Time Stamp
- Price Override Lock
- Password Protection
- Audit Trail

Mandatory Regulations

- USDA Safe Handling Statement
- Cool (Country of Origin) Information
- Ingredients, Nutritional Information, Allergens, Trans Fats

Advertising Features

- Up Sell
- Cross Sell
- Cooking Instructions
- Advertisement (Labels)
- Recipes
- Promotions

Optional Features

LinerLess Labels Printer with World's First Auto-Cutter
Wireless Lan IEEE 802.11 a/b/g/n, e.Labels, Info Tags, TVP-1500, Speed ID

*Searching for
a New Balance*

Display



Label Drawer Cassette



Specifications

General	Power Source	AC 100/110 or 220/230/240 Volts (50/60 Hz)
	Dimensions	422.6 mm (W) x 220 mm (D) x 407.5(H) mm 16.64 in (W) x 8.66 in (D) x 16.04(H) in
	Operating Temperature	-10°C to +40°C
	Operation Humidity	15%~ 85% RH (Max.) with No Condensation
	Interface	Ethernet (Standard) 10/100 Base T, USB 2.0 Host
	Net Weight	23.81 lb
	Barcode Type	Interleave 2 of 5, EAN-8, EAN-13, EAN-128, RSS, PDF417 (for receipt only)

Consoles	Display Panel	8.4 in TFT SVGA with Touch Panel
	Operator Display	+/-30 Degree Left and Right; 90 Degree Up and Down
	Memory	8 GB SD Std, Upgradeable to 128 GB

Printer	Type	Thermal Printer
	Dot Density	12 dot/ mm (300 dpi)
	Printing Width	30- 80 mm (1.18-3.1 inches)
	Printing Length	240 mm (9.45 inches)
	Label Size	Width: 80 mm (3.1 inches) Length: 240 mm (9.45 inches)
	Label Roll Diameter (Outer)	Max. 125 mm (4.92 inches)
Label Roll Diameter (Inner)	40 mm (3.0 inches)	

Options	Options	WLAN IEEE 802.11 a/ b/ g/ n, e.Labels, Info Tags, TVP-1500 Queue Printer, Speed ID
	Factory Option	LinerLess Printer with Auto-Cutter

Labels

Items Printed on Label

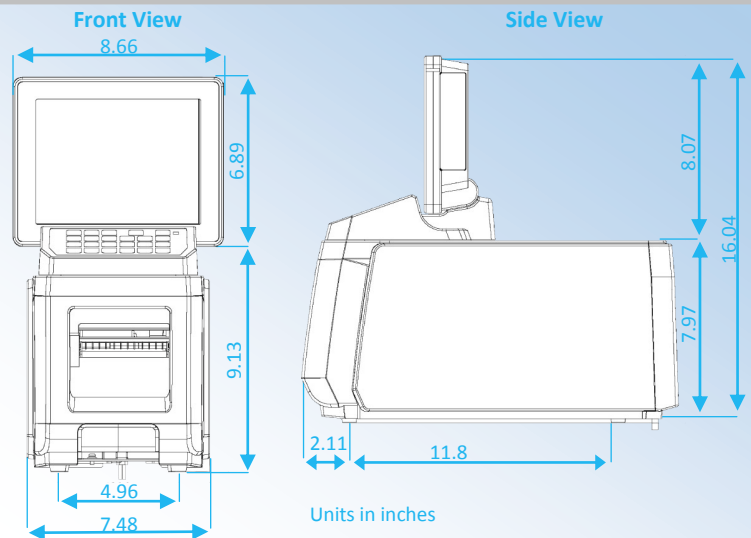
- Price
- Content
- Multi-Barcode
- Discount Price
- Commodity Name
- Ingredients
- Special Message
- Shop Name
- Dates: Packed on Date,
Consume by Date
- Times: Packed on Time,
Consume by Time
- Image
- Frames
- Nutrifacts
- Country of Origin
- Others

Items Printed on Receipt (Report)

- Shop Name
- Commodity Name
- Price
- Total Price
- Discount Price
- Sub Total
- Tax
- Grand Total
- Total Item
- Quantity
- Barcode
- Date
- Time
- Clerk Number
- Receipt Number
- Machine Number



Printer Dimensions



New Brunswick International, Inc.

A DIGI Group Company

Corporate Headquarters **West Coast Office**
 76 Veronica Ave 530 West Central Ave. Suite C
 Somerset, NJ 08873 Brea, CA 92821
 TEL: (732) 828-3633 TEL: (714) 671-7911
 FAX: (732) 828-4884 FAX: (714) 671-0798

www.nbidigi.com

Dealer